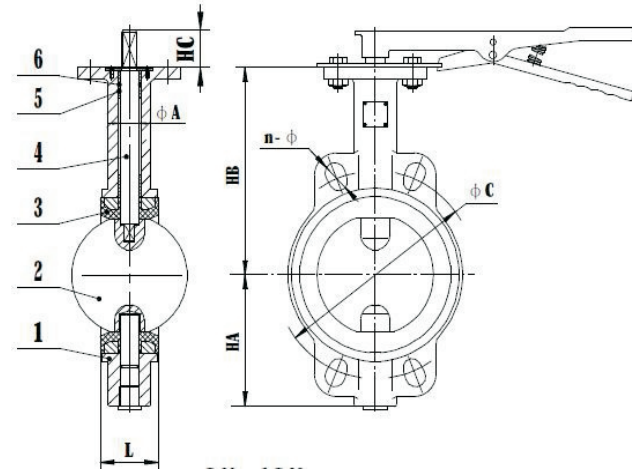


WAFER BUTTERFLY VALVE



General Specifications

Working Temperature: -10~110°C(16bar)

Certificates: CE

Standards

Design: EN 593 /API609

Connection Dimensions: EN 1092-2

ANSIB16.1/JIS5K/JIS10K/BS"

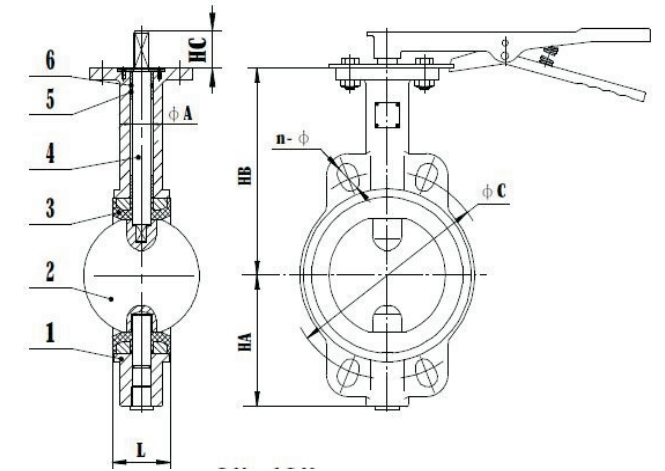
Testler: EN 12266-1 /API598

Material Specifications	No	Part Name	Material
	1	Body	GG25;GGG40; CF8/CF8M
	2	Disc	GGG40;SS304;SS316;AL-B
	3	Seat	EPDM;NBR;VITON;PTFE
	4	Stem	C.S.;SS416;SS431
	5	Bushing	PTFE
6	O-ring	NBR	

DN50-DN200 LEVER
DN250-DN600 GEAR

Dimensions	Nominal Pressure	PN10;PN16;ANSI 150LB;JIS 10K														
	Nominal Diameter	DN	50	65	80	100	125	150	200	250	300	350	400	450	500	600
	Valve Diameter	L	43	46	46	52	56	56	60	68	78	78	102	114	127	154
		HA	66	75	95	107	122	134	168	200	237	262	300	350	375	435
		HB	130	140	150	170	185	205	235	270	305	330	360	395	440	500
		HC	30	30	30	30	30	30	36	36	36	36	51	51	64	71
	PN10	φC	125	145	160	180	210	240	295	350	400	460	515	565	620	725
		n-φ	4-18	4-18	4-18	8-18	8-18	8-23	8-23	12-23	12-23	16-23	16-27	20-27	20-27	20-30
	PN16	φC	125	145	160	180	210	240	295	355	410	470	525	585	650	770
		n-φ	4-18	4-18	8-18	8-18	8-18	8-23	12-23	12-27	12-27	16-27	16-30	20-30	20-33	20-36
ANSI 150LB	φC	120.5	139.5	152.5	190.5	216.0	241.5	298.5	362.0	432.0	476.0	539.5	578.0	635.0	749.5	
	n-φ	4-19	4-19	4-19	8-19	8-22	8-22	8-22	12-25	12-25	12-29	16-29	16-32	20-32	20-35	
JIS 10K	φC	120	140	150	175	210	240	290	355	400	445	510	565	620	730	
	n-φ	4-19	4-19	8-19	8-19	8-23	8-23	12-23	12-25	16-25	16-25	16-27	20-27	20-27	24-33	
Weight	Kg	3	3.5	4	6	7	9	14	20	33	49	90	110	150	242	

WAFER BUTTERFLY VALVE PN25



General Specifications

Working Temperature: -10~110°C(16bar)

Certificates: CE

Standards

Design: EN 593 /API 609

Design: EN 593 /API 609

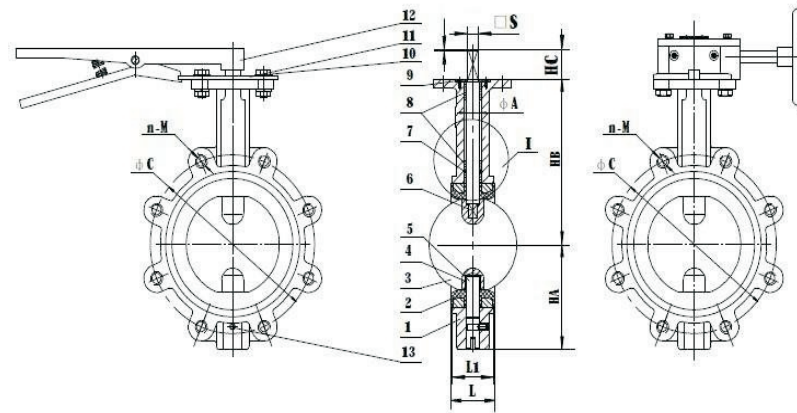
Testler: EN 12266-1 / API598

Material Specifications	No	Part Name	Material
	1	Body	GGG40
	2	Disc	GGG40+EPDM
	3	Stem	SS431
	4	Bushing	PTFE
	5	O-ring	NBR

DN50-DN200 LEVER

Dimensions	Nominal Pressure	PN25														
	Nominal Diameter	DN	50	65	80	100	125	150	200	250	300	350	400	450	500	600
	Valve Diameter	L	43	46	46	52	56	56	60							
		HA	66	75	95	107	122	134	168							
		HB	130	140	150	170	185	205	235							
		HC	30	30	30	30	30	30	36							
	PN25	φC	125	145	160	180	210	240	295							
		n-φ	4-18	4-18	8-18	8-23	8-27	8-27	12-27							
	Weight	Kg	6	7	8	12	14	18	28							

LUG BUTTERFLY VALVE



Material Specifications	No	Part Name	Material
	1	Body	GG25;GGG40; CF8/CF8M
	2	Seat	EPDM;NBR;VITON;PTFE
	3	Disc	GGG40;SS304;SS316;AL-B
	4	Stem	C.S.;SS416;SS431
	5	Bushing	PTFE
	6	Stem	C.S.;SS416;SS431
	7	O-ring	NBR

DN50-DN200 LEVER
DN250-DN600 GEAR

General Specifications

Working Temperature:-10~110°C(16bar)

Certificates:CE

Standards

Design: EN 593/API609

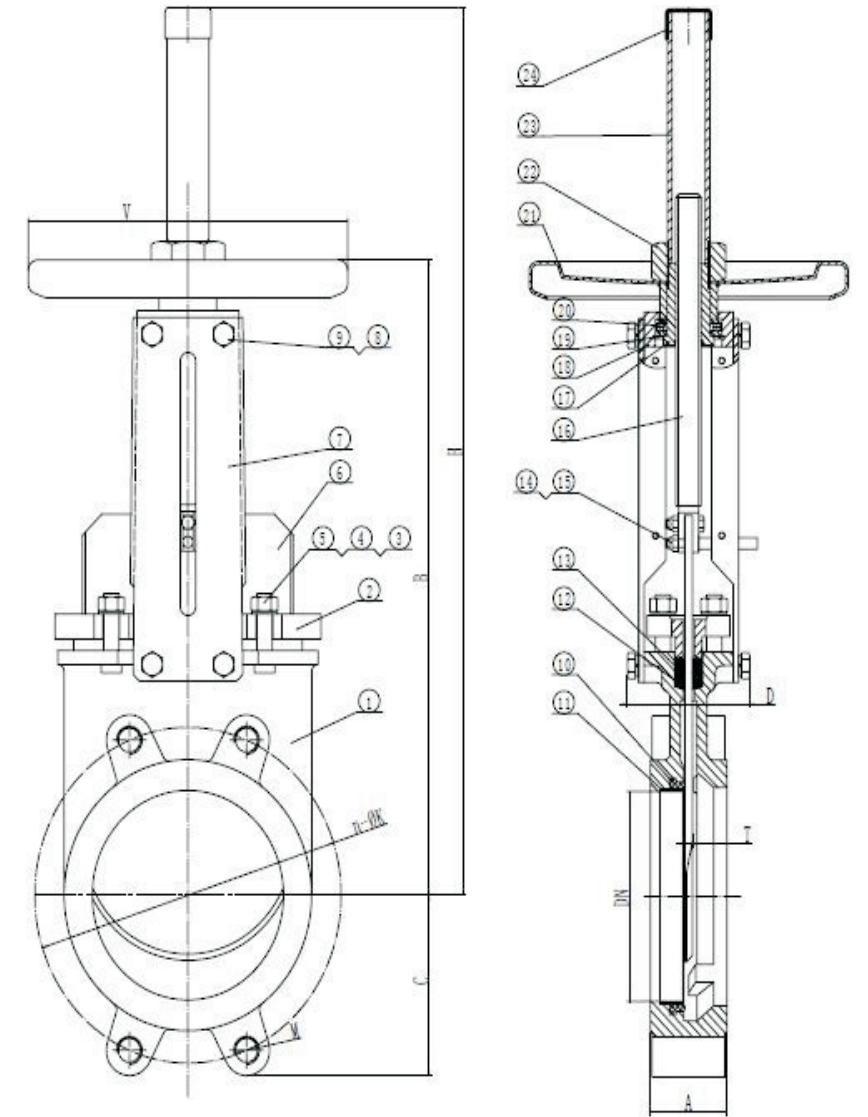
Connection Dimensions: EN 1092-2

ANSIB16.1/JIS5K/JIS10K"

Testler: EN 12266-1 /API598

Dimensions	Nominal Pressure	PN10;PN16;ANSI 150LB;JIS 10K													
	Nominal Diameter	DN	50	65	80	100	125	150	200	250	300	350	400	450	500
Valve Diameter	L	43	46	46	52	56	56	60	68	78	78	102	114	127	154
	HA	66	75	95	107	122	134	168	200	237	262	300	350	375	435
	HB	130	140	150	170	185	205	235	270	305	330	360	395	440	500
	HC	30	30	30	30	30	30	36	36	36	36	51	51	64	71
PN10	ΦC	125	145	160	180	210	240	295	350	400	460	515	565	620	725
	n-M	4-16	4-16	4-16	8-16	8-16	8-20	8-20	12-20	12-20	16-20	16-24	20-24	20-24	20-27
PN16	ΦC	125	145	160	180	210	240	295	355	410	470	525	585	650	770
	n-M	4-16	4-16	8-16	8-16	8-16	8-20	12-20	12-24	12-24	16-24	16-27	20-27	20-30	20-33
ANSI 150LB	ΦC	120.5	139.5	152.5	190.5	216.0	241.5	298.5	362.0	432.0	476.0	539.5	578.0	635.0	749.5
	n-M	4-5/8-11	4-5/8-11	4-5/8-11	8-5/8-11	8-3/4-10	8-3/4-10	8-3/4-10	12-7/8-9	12-7/8-9	12-1-8	16-1-8	16-11/8-7	20-11/8-7	20-11/4-7
JIS 10K	ΦC	120	140	150	175	210	240	290	355	400	445	510	565	620	730
	n-M	4-16	4-16	8-16	8-16	8-20	8-20	12-20	12-22	16-22	16-22	16-24	20-24	20-24	24-30
Weight	Kg	4.5	5.5	6	8	9	11	17	23	35	52	94	115	159	250

KNIFE GATE VALVE PN10



Design:MSSSP-81

Certificates:CE

ConnectionDimensions:EN1092-2

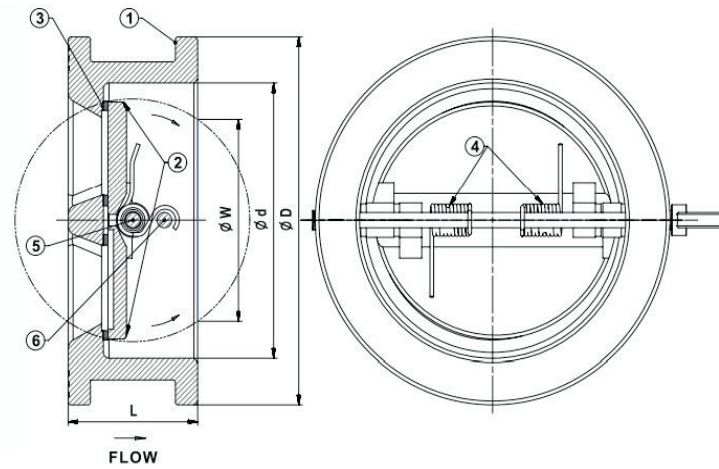
ANSIB16.1/JIS10K

Tester:MSSSP-81

STAINLESS STEEL DN300 DIMENSIONS A=70mm

	DN50	DN65	DN80	DN100	DN125	DN150	DN200	DN250	DN300	DN350	DN400	DN450
A	40	40	50	50	50	60	60	70	80	96	100	106
B	289	313	335	380	415	470	580	670	768	900	997	1100
C	65	70	95	108	124	135	165	198	234	256	292	308
D	87	87	87	87	98	98	123	123	123	198	198	198
H	360	400	420	488	564	635	809	946	1118	1282	1441	1587
V	200	200	200	200	250	250	300	300	300	400	400	400
K	125	145	160	180	210	240	295	350	400	460	515	565
T	5			6			8		10		12	
n	4	4	8	8	8	8	8	12	12	16	16	20
M	M16	M16	M16	M16	M16	M20	M20	M20	M20	M20	M24	M24

Dual Plate Swing Check Valve PN16



General Specifications

Working Temperature:-10~120°C

Certificates: CE

Standards

Design:EN 558 /API 594

Connection Dimensions:EN 1092-2

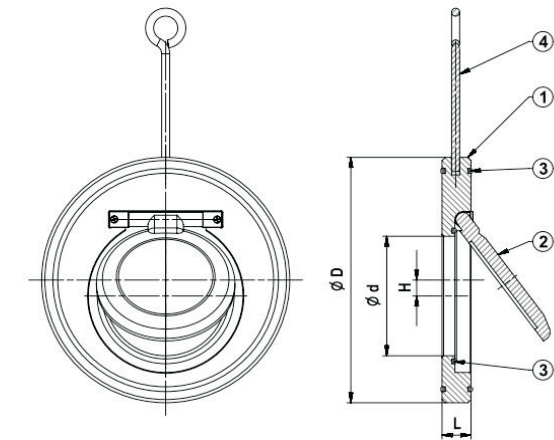
ANSIB16.1/JIS5K/JIS10K"

Testler:EN 12266-1 /API 598

Material Specifications	No	Part Name	Material
	1	Body	GG25/GGG40/SS304/SS316
	2	Disc	SS304/SS316
	3	Seat	EPDM/NBR/VITON
	4	Spring/Stem	SS304

Dimensions	Nominal Pressure	PN10/PN16														
	Nominal Diameter	DN	50	65	80	100	125	150	200	250	300	350	400	450	500	600
	Valve Dimensions	ΦD	107	127	142	162	192	218	273	328	278	438	489	539	594	695
		Φd	65	80	94	117	145	170	224	265	310	360	410	505		625
		L	43	46	64		70	76	89	114		127	140	152	177	
		ΦW	49	63	69	97	121	145	197	234	284	333	379	460	527	
	Weight	Kg	1.3	1.6	2.8	4.0	5.5	8.0	13.5	24.4	33	46	62	103	125	

Wafer Swing Single Plate Check Valve



General Specifications

Working Temperature:-10~120°C

Certificates: CE

Standards

Design:EN 558 /API 6D

Connection Dimensions:EN 1092-2

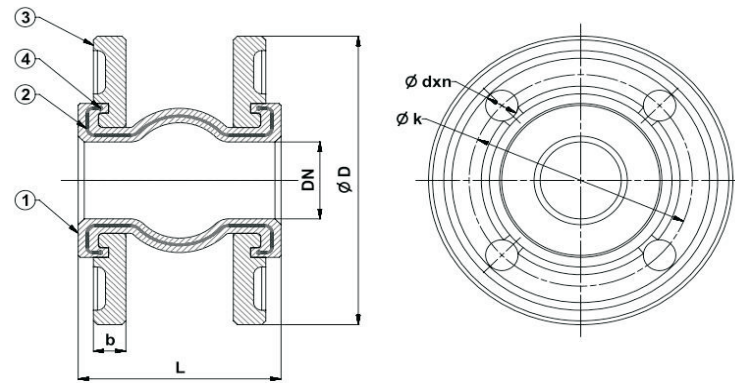
ANSIB16.1/JIS10K"

Testler:EN 12266-1 /API 6D

Material Specifications	No	Part Name	Material
	1	Body	WCB/SS304/SS316
	2	Disc	SS304/SS316
	3	O-Ring	EPDM/NBR/VITON/PTFE
	4	Eye Bolt	SS304

Dimensions	Nominal Pressure	16Bar															
	Nominal Diameter	DN	40	50	65	80	100	125	150	200	250	300	350	400	450	500	600
	Valve Dimensions	ΦD	92	107	127	142	162	192	218	273	329	384	444	491	610	724	
		Φd	22	32	40	54	70	92	114	154	200	235	280	316	405	486	
		L	14			18			20	22	26	28	38	44	56	62	
		H	0		2	3	4	5	6	8	9	10	11	12	13	15	
	Weight	Kg	0.7	0.8	1.2	1.5	2.3	3.5	4.1	7.0	12	18	22	25	30	40	

RUBBER EXPANSION JOINT PN16



General Specifications

Working Temperature: -20~90°C

Certificates: CE

Standards

Design: EN 558

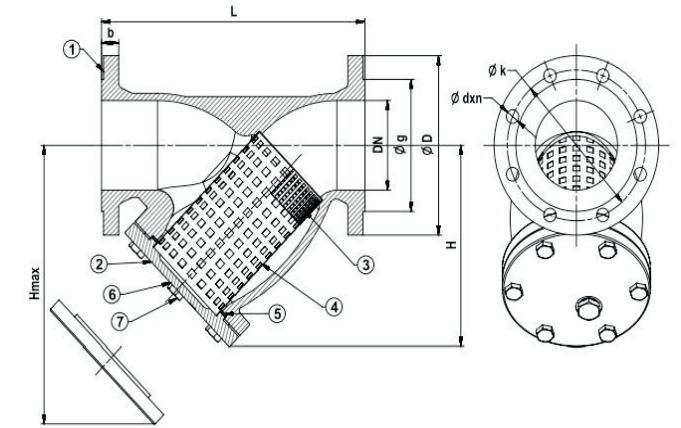
Connection Dimensions: EN 1092-2

Testler: EN 12266-1

Material Specifications	No	Part Name	Material
	1	Body	Rubber
	2	Kord Fabric	Nylon 6.6
	3	Flange	Steel+Galvanize Plated
	4	Piston Ring	Carbon Steel

Dimensions	Nominal Pressure	16Bar																	
	Nominal Diameter	DN	32	40	50	65	80	100	125	150	200	250	300	350	400	450	500	600	
	Valve Dimensions	L	95	105	115	135	150	165	180	210	230	245	255				260		
		φD	150	165	185	200	220	250	285	340	405	460	520	565	615	670	780		
		Axial Expansion	+6mm		+7mm		+8mm		+10mm		+12mm		+16mm						
		Axial Compression	-9mm		-10mm		-13mm		-15mm		-19mm		-20mm						
		Lateral Movement	9mm		10mm		11mm		12mm		13mm		14mm						22mm
	Valve Diameter	Angular Movement	15°																
		k	100	110	125	145	160	180	210	240	295	355	410	470	515	565	620	725	
		b	16		18		20		22		24	26	28	30	26	28			
dxn		19x4				19x8				23x8	23x12	26x12	26x16	26x20	30x20				
Weight		Kg	3.2	3.6	4.8	6.0	7.2	8.4	10.8	14.6	19.7	26	34	44	51	55	58	69	

Y TYPE STRAINER(PN16)-Y FILTER



General Specifications

Working Temperature: -10~120°C(16bar)

Certificates: CE

Standards

Flange Dimensions: EN 1092-2

(PN16)PN10/ANSI B16.1/JIS10K"

Face to Face Dimensions: EN558

Testler: EN 12266-1

Material Specifications	No	Part Name	Material
	1	Body	GG25;GGG40
	2	Bonnet	GG25;GGG40
	3	Filter	AISI304
	4	Reinforcing Frame (DN50-DN800)	Stainless Steel
	5	Gasket	Klingerit
	6	Plug Gasket (DN50-DN800)	Copper
7	Plug (DN50-DN800)	Stainless Steel	

Dimensions	Nominal Pressure	16Bar															
	Nominal Diameter	DN	15	20	25	32	40	50	65	80	100	125	150	200	250	300	
	Valve Diameter	L	130	150	160	180	200	230	290	310	350	400	480	600	730	850	
		H	65	78	88	126	135	145	165	175	236	267	298	340	390	440	
		H max	117	140	160	203	232	260	333	363	454	510	579	657	875	960	
		D	95	105	115	140	150	165	185	200	220	250	285	340	405	460	
		k	65	75	85	100	110	125	145	160	180	210	240	295	355	410	
	g	46	56	65	76	84	99	118	132	156	184	211	266	319	370		
	b	14	16		18		20		22	24	26		30	32			
	dxn	14x4				19x4				19x8				23x8	23x12	28x12	
Weight	Kg	2	3	4	6.5	7.5	10.5	16	21.5	28.5	39	52.5	89.5	149	240		